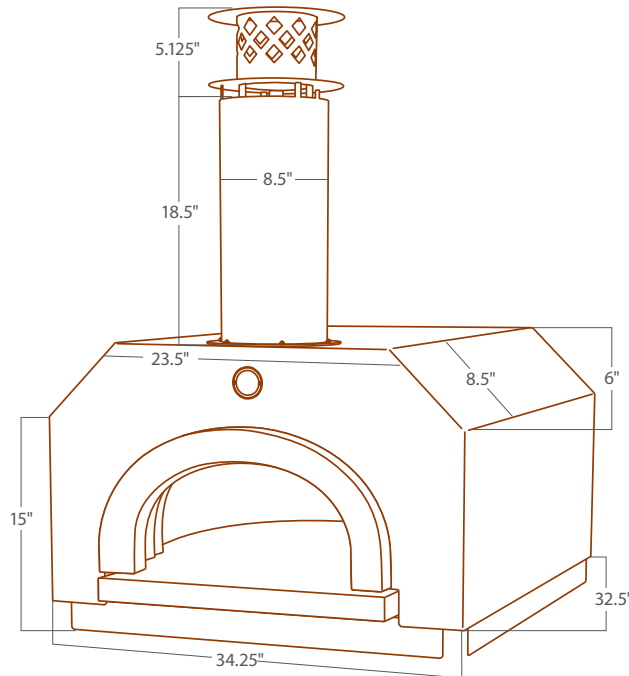


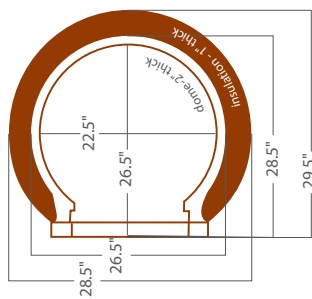
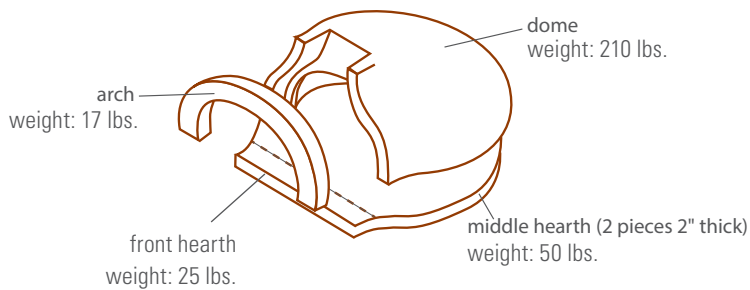
CBO-500 Countertop Shroud Specifications



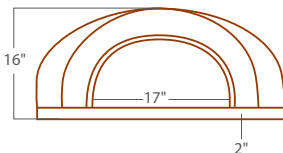
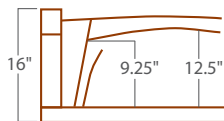
Weight: 450 lbs.

Flue Pipe Dimensions: 27.25"H X 22.25"W

CBO-500 Bundle Specifications



Weight: 325 lbs.



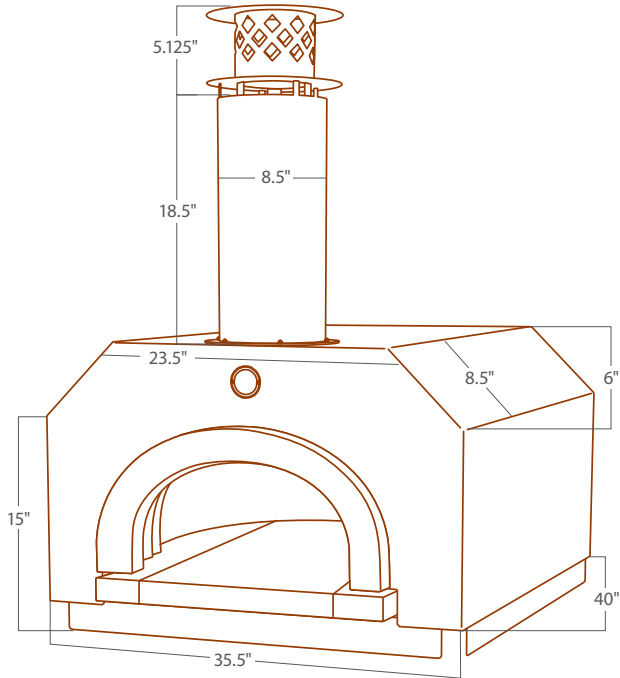
CBO-500 Bundle Accessories

- 4-piece refractory oven (Dome, 2-piece Hearth, Arch), Decorative Door, DuraVent Flue Anchor Plate #9441
- Install Kit (Insulating Board, Insulating Blanket, Steel Plate, Mortar)
- Hardware (4 Bolts for Anchor Plate SS 1/4-20 X 1/2", 4 Bolts for Door/Arch SS 1/4-20 X 2 1/2" and 2 Bolts for top of Arch SS 1/4-20 X 1 3/4")
- Cooking Kit (Pizza Peel, Brush, Infrared Thermometer Gun)
- Venting Pipe and Termination Cap NOT INCLUDED
- DuraVent pipe 6" dia X 24" H, Stainless Steel Class "A" Double Wall Pipe
- Please refer to manual for installation clearances

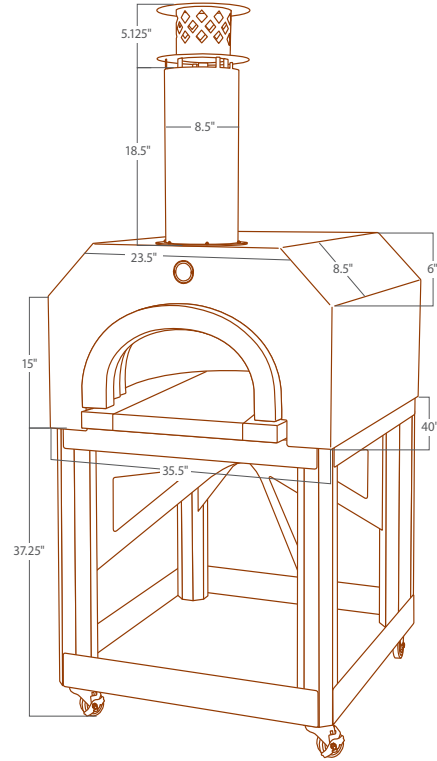


CHICAGO BRICK OVEN

CBO-750 Countertop Shroud Specifications

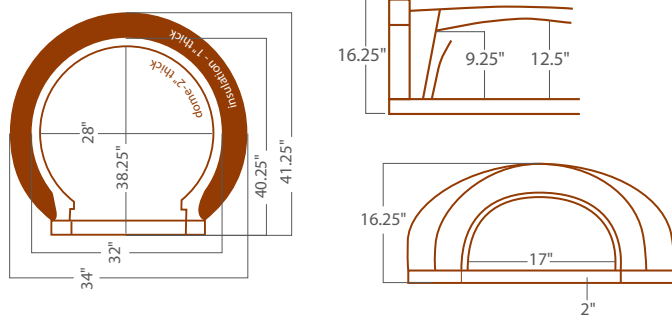
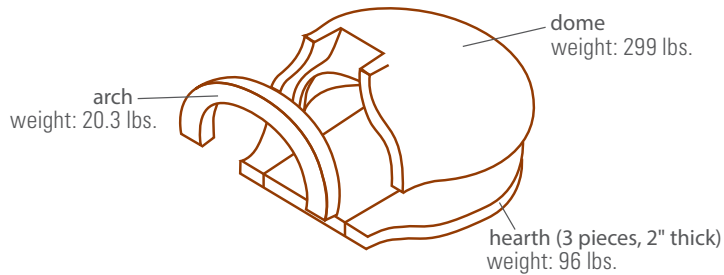


Weight: 625 lbs.
Flue Pipe Dimensions: 27.25"H X 22.25"W



Oven with Cart Weight: 750 lbs.

CBO-750 Bundle Specifications



Weight: 500 lbs.

CBO-750 Bundle Accessories

- 5-piece refractory oven (Dome, 3-piece Hearth, Arch), Decorative Door, DuraVent Flue Anchor Plate #9441
- Install Kit (Insulating Board, Insulating Blanket, Steel Plate, Mortar)
- Hardware (2 bolts for Anchor Box Assembly SS 1/4-20 X 1/2", 4 Bolts for Door/Arch SS 1/4-20 X 2 1/2")
- Cooking Kit (Pizza Peel, Brush, Infrared Thermometer Gun)
- Venting Pipe and Termination Cap NOT INCLUDED
- DuraVent pipe 6" dia X 24" H, Stainless Steel Class "A" Double Wall Pipe
- Please refer to manual for installation clearances

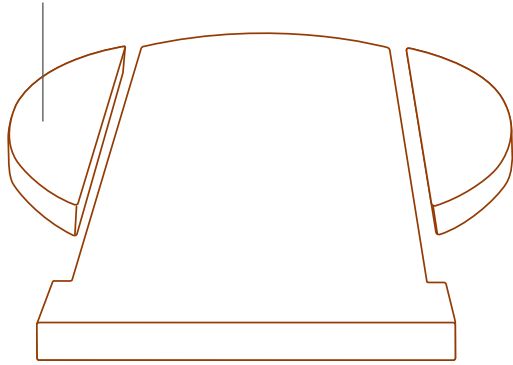


CHICAGO BRICK OVEN

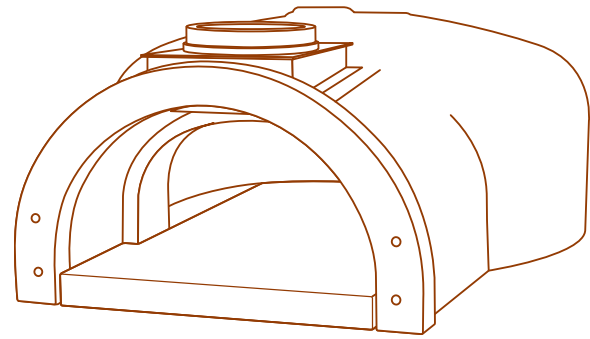
CBO-1000 Bundle Specifications



Wings Weight: 23 lbs. each

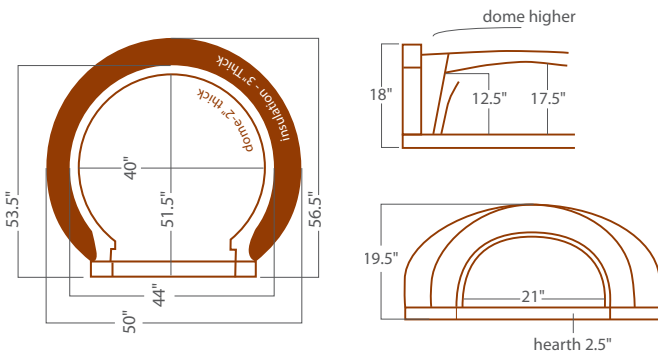
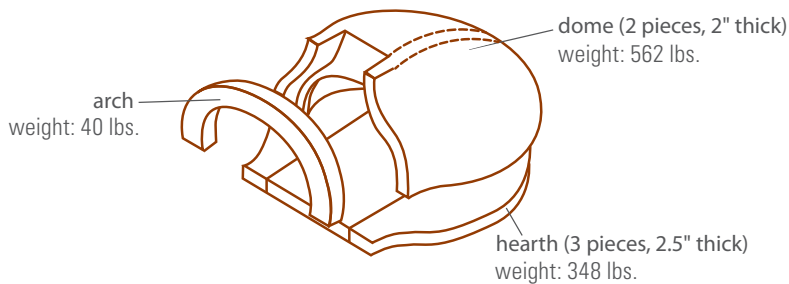


Weight: 302 lbs.



Weight: 950 lbs.
Flue Pipe Dimensions: 27.25"H X 22.25"W

Model-1000 Bundle Specifications



Weight: 950 lbs.

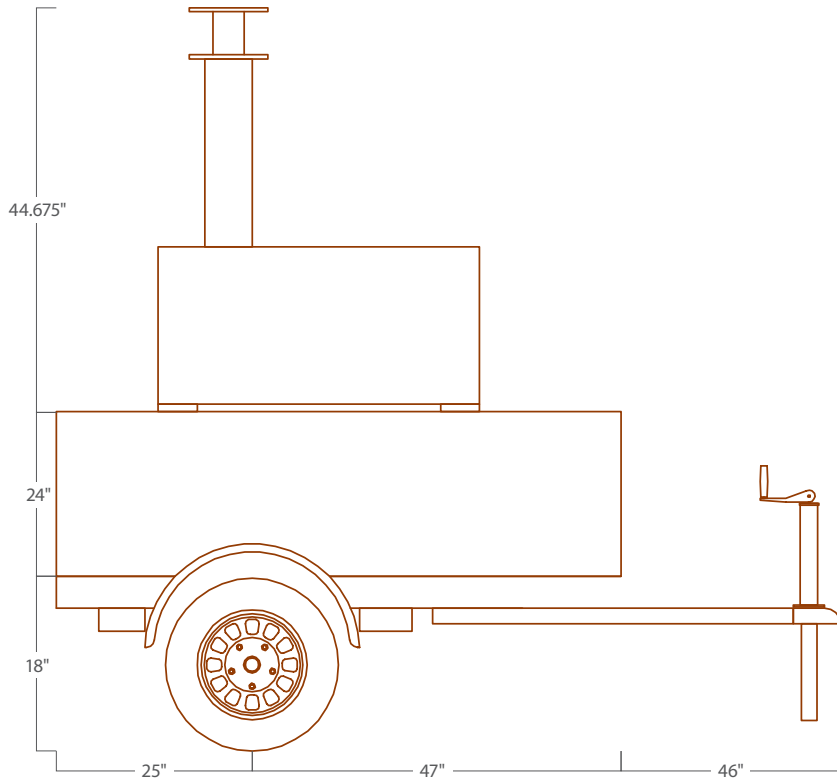
CBO-1000 Bundle Accessories

- 6-piece refractory oven (2-piece Dome, Hearths, Arch), Insulating Door, DuraVent Flue Anchor Plate #9641
- Install Kit (Insulating Board, Insulating Blanket, Steel Plate, Steel Binding Plate, Mortar)
- Hardware (4 Bolts & Washers for Anchor Box Assembly SS 1/4-20 X 1/2", 4 Bolts & Washers for Dome Binding Plate SS 1/4-20 X 1/2", 4 Bolts & Washers for Arch SS 5/16-18 X 2 1/2")
- Cooking Kit (Brush, Infrared Thermometer Gun)
- Venting Pipe and Termination Cap NOT INCLUDED
- DuraVent pipe 8" dia X 24" H, Stainless Steel Class "A" Double Wall Pipe

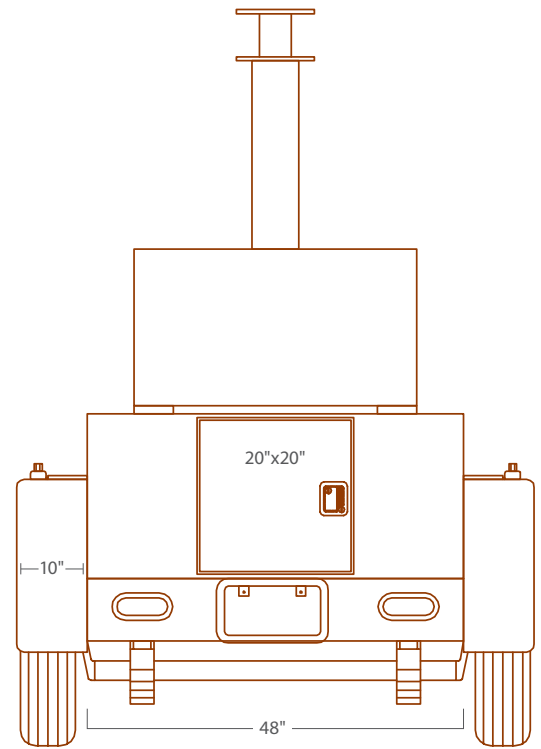


CHICAGO BRICK OVEN

CBO-750 Tailgater Specifications

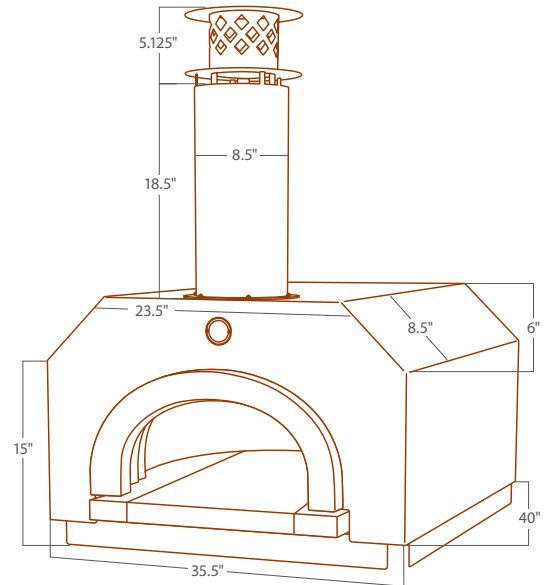
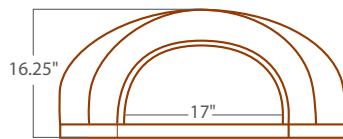
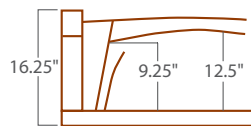
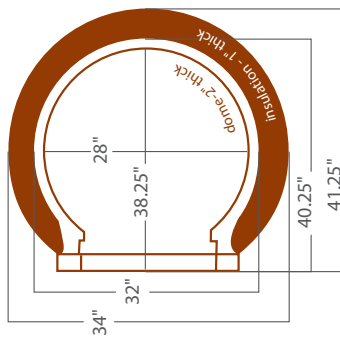


Trailer With Oven Weight: 1,073 lbs.
Tailgate Trailer Hitch Ball size: 2"



Trailer internal storage
approximately 44" X 22" X 46".

CBO-750 Oven Specifications



Weight: 625 lbs.

Accessories

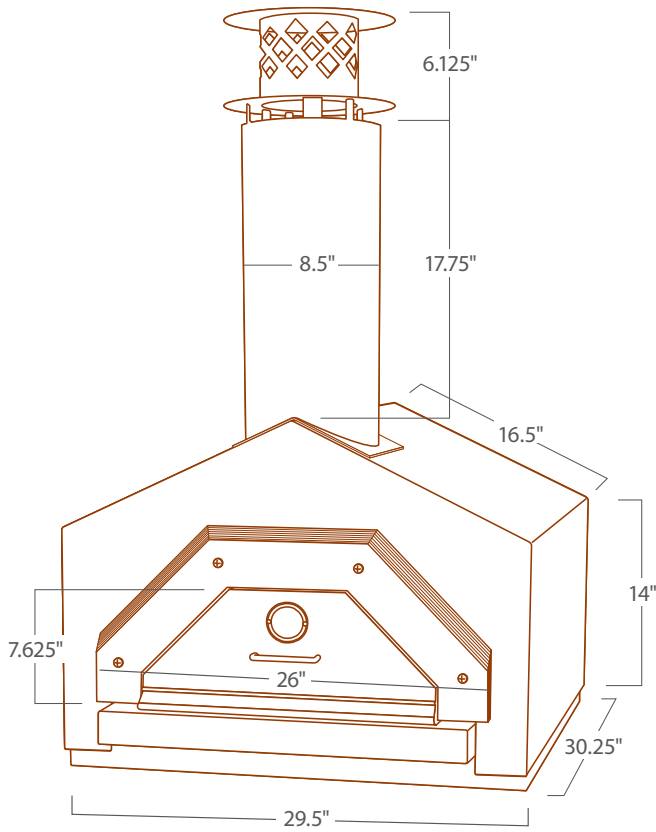
- Cooking Kit (Pizza Peel, Brush and Infrared Thermometer Gun)



CHICAGO BRICK OVEN

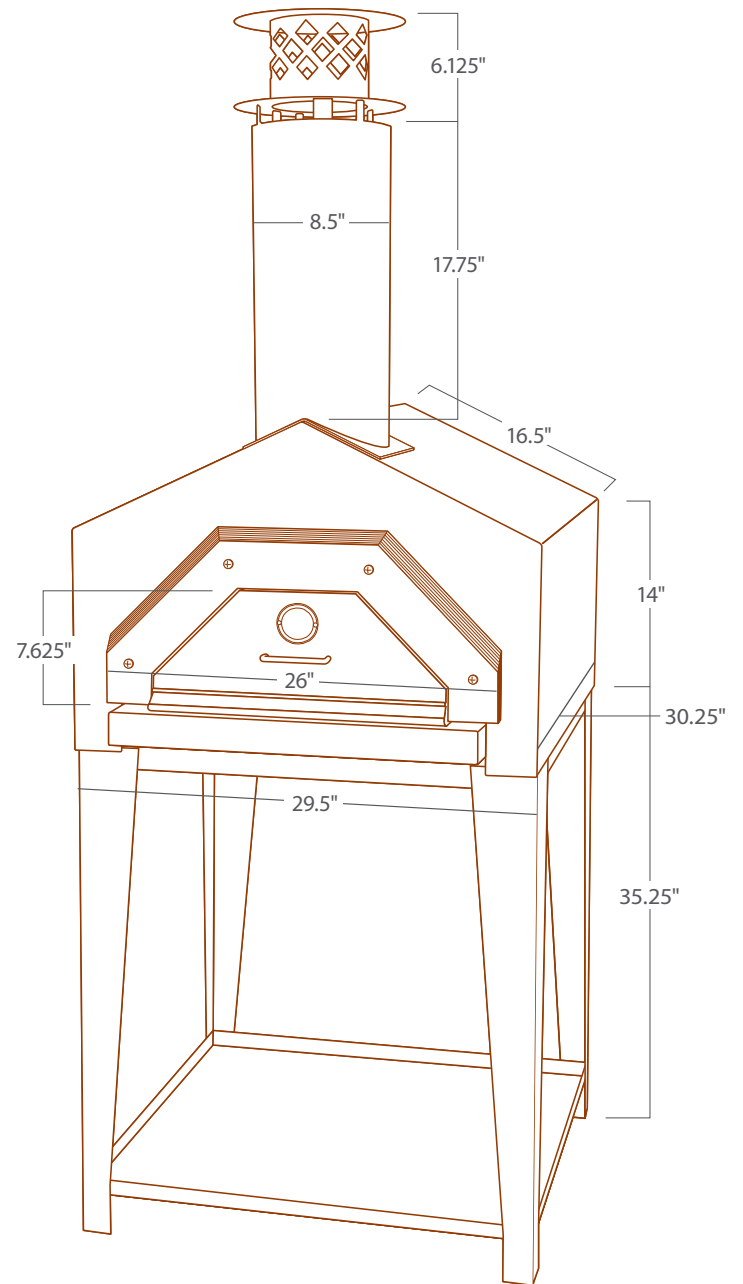
CBO-Americano Specifications

CBO-Americano Countertop



Weight: 295 lbs.
Hearth Surface – 22.5" X 30"
Decorative door included

CBO-Americano with Stand



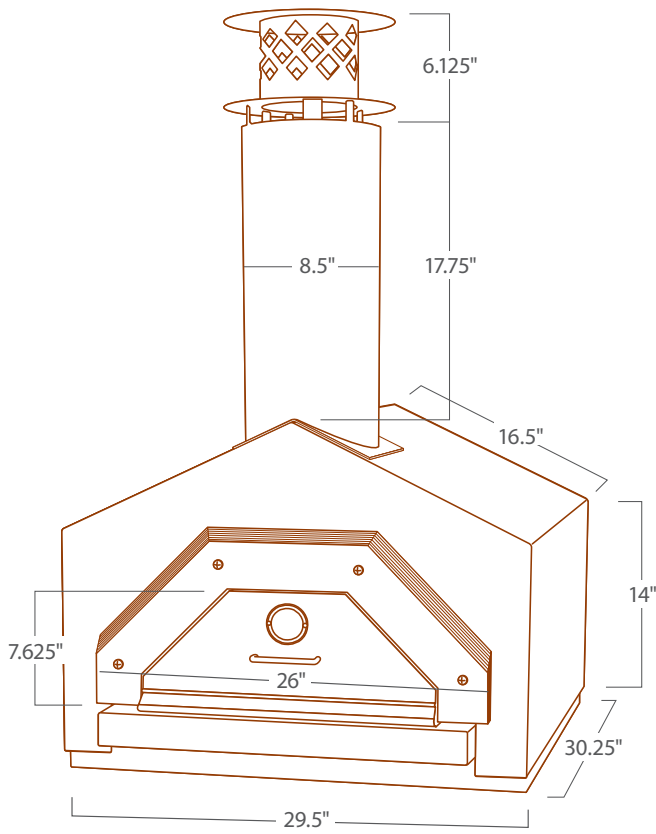
Oven and Stand Weight: 350 lbs.
Hearth Surface – 22.5" X 30"
Decorative door included



CHICAGO BRICK OVEN

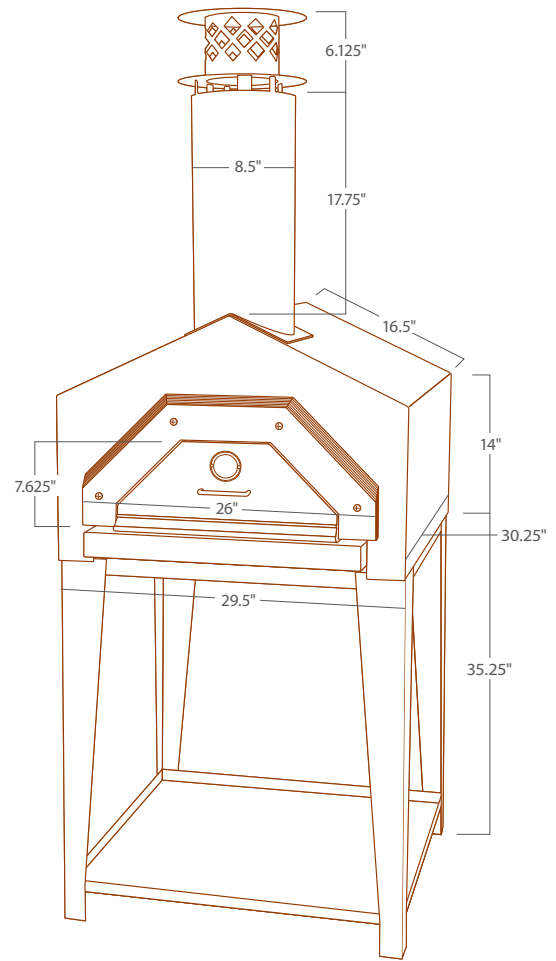
CBO Americano Gas Specifications

CBO-Americano Gas Countertop

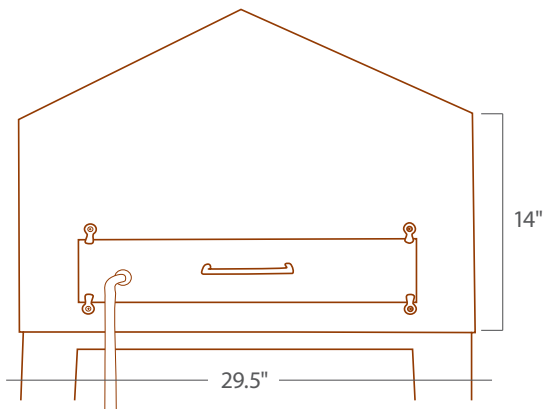


Weight: 295 lbs.
Hearth Surface – 22.5" X 30"
Decorative door included

CBO-Americano Gas with Stand



Oven and Stand Weight: 350 lbs.
Hearth Surface – 22.5" X 30"
Decorative door included



Back of unit with gas hook-up

- Custom-designed "Flame Roll" burner with key control and push-button igniter
- Use as gas only or with small amounts of wood
- Must be designated as LP or NG gas unit at time of order and shipped from factory complete; cannot be retrofitted in field



CHICAGO BRICK OVEN